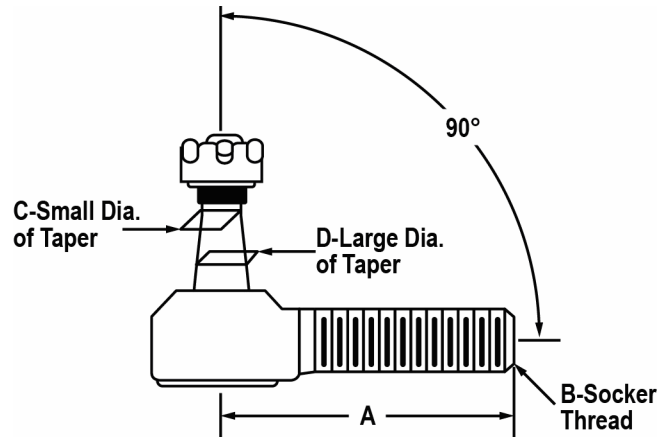


Progressive Size Charts For Tie Rod Ends



Part No.	Length (A)	Thread (B)	Small Diameter (C)	Large Diameter (D)	Taper	Thread Type
ES150L	3.50"	3/4-16L	0.612"	0.705"	0.744"	External
ES150R	3.50"	3/4-16R	0.612"	0.705"	0.744"	External
ES158L	3.41"	11/16-18L	0.644"	0.734"	0.720"	External
ES158R	3.41"	11/16-18R	0.644"	0.734"	0.720"	External
ES176L	3.75"	1-16L	0.783"	0.874"	0.890"	External
ES176R	3.75"	1-16R	0.783"	0.874"	0.896"	External
ES187L	4.88"	1 1/8-12L	0.967"	1.102"	1.080"	External
ES187R	4.88"	1 1/8-12R	0.967"	1.102"	1.080"	External
ES194L	3.75"	7/8-18L	0.678"	0.781"	0.824"	External
ES194R	3.75"	7/8-18R	0.678"	0.781"	0.824"	External
ES2030R	3.12"	15/16-20R	0.896"	1.030"	1.072"	Internal
ES2035L	5.86"	1-16L	0.783"	0.905"	0.976"	External
ES2036R	5.86"	1-16R	0.783"	0.905"	0.976"	External
ES2040R	5.75"	1 1/4-12R	1.080"	1.250"	1.360"	External
ES2061L	4.93"	1-16L	0.783"	0.905"	0.976"	External
ES2062R	4.93"	1-16R	0.783"	0.905"	0.976"	External
ES2082R	4.44"	7/8-18R	0.664"	0.773"	0.872"	External
ES2083L	4.44"	7/8-18L	0.664"	0.773"	0.872"	External
ES2090L	7.37"	1 1/4-12L	1.080"	1.250"	1.360"	External
ES2091R	7.37"	1 1/4-12R	1.080"	1.250"	1.360"	External
ES2113R	5.75"	1 1/4-12R	1.08"	1.25"	1.36"	External
ES2114R	5.75"	1 1/4-12R	1.08"	1.25"	1.36"	External
ES2116L	5.75"	1 1/4-12L	1.08"	1.25"	1.36"	External
ES2200L	10.50"	1 5/8-12L	0.967"	1.102"		External
ES2201R	10.50"	1 5/8-12R	0.967"	1.102"		External
ES2202R	7.38"	1 1/4-12R	1.08"	1.25"	1.36"	External
ES2203R	5.50"	1 1/4-12R	0.967"	1.102"		External
ES2204R	7.38"	1 1/4-12R	1.08"	1.25"	1.36"	External
ES2207R	5.75"	1 1/4-16R	1.08"			External
ES2208R	5.75"	1 1/4-16R	1.080"	1.250"		External
ES2209R	7.37"	1 1/4-12R	1.08"	1.25"	1.36"	Internal
ES2210L	7.37"	1 1/4-12L	1.08"	1.25"	1.36"	Internal
ES2224L	5.75"	1 1/4-12L	1.117"	1.250"		External
ES2225R	5.75"	1 1/4-12R	1.117"	1.250"		External
ES2257R	4.88"	1 1/8-16R	0.896"	1.030"	1.070"	External
ES235L	3.75"	1-16L	0.664"	0.781"	0.936"	External
ES235R	3.75"	1-16R	0.664"	0.781"	0.936"	External
ES2556L	3.78"	M20X1.5L	0.657"	0.748"		External
ES2557R	3.78"	M20X1.5R	0.657"	0.748"		External
ES2613L	5.44"	1 1/8-14R	0.973"	1.102"		External
ES2614R	5.44"	1 1/8-12R	0.973"	1.102"		External

Progressive Size Charts For Tie Rod Ends

Part No.	Length (A)	Thread (B)	Small Diameter (C)	Large Diameter (D)	Taper	Thread Type
ES262L	3.25"	11/16-18L	0.612"	0.705"		External
ES262R	3.25"	11/16-18R	0.612"	0.705"		External
ES26L	3.55"	13/16-18L	0.612"	0.705"	0.744"	External
ES26R	3.55"	13/16-18R	0.612"	0.705"	0.744"	External
ES3026L	10.80"	1 3/8-12L	0.783"	0.899"		External
ES3027R	10.80"	1 3/8-12R	0.783"	0.899"		External
ES3030R	12.69"	1 7/8-12R	1.080"	1.250"		External
ES3031L	12.69"	1 7/8-12L	1.080"	1.250"		External
ES3032R	5.75"	1 1/4-18R	1.080"	1.250"	1.360"	External
ES3039L	13.25"	1 7/16-12L	0.783"	0.899"		External
ES3040R	13.25"	1 7/16-12R	0.783"	0.899"		External
ES304L	3.90"	1-16L	0.780"	0.905"	1.000"	External
ES304R	3.90"	1-16R	0.780"	0.905"	1.000"	External
ES3086L	10.84"	1 7/8-12L	0.967"	1.102"	1.080"	External
ES3087R	10.84"	1 7/8-12R	0.967"	1.102"	1.080"	External
ES3176R	6.00"	1 1/8-12R	0.967"	1.102"	1.080"	External
ES3177L	6.00"	1 1/8-12L	0.967"	1.102"	1.080"	External
ES3178R	6.38"	1 1/4-12R	0.967"	1.102"	1.080"	External
ES3204L	11.89"	1 3/8-12L	0.762"	0.874"		External
ES3205R	11.89"	1 3/8-12R	0.762"	0.874"		External
ES3214R	12.40"	1 1/4-12R	1.080"	1.250"	1.360"	Internal
ES3216R	4.88"	1 1/8-12R	0.967"	1.102"	1.080"	External
ES3217L	5.44"	1 1/8-12L	0.967"	1.102"	1.080"	External
ES3218R	5.44"	1 1/8-12R	0.967"	1.102"	1.080"	External
ES3219L	9.43"	1 1/8-12L	0.967"	1.102"		External
ES3220R	9.43"	1 1/8-12R	0.967"	1.102"		External
ES323L	4.00"	5/8-18L	0.516"	0.613"	0.776"	External
ES323R	4.00"	5/8-18R	0.516"	0.613"	0.776"	External
ES3252R	5.75"	1 1/4-12R	1.252"	1.252"		External
ES325L	5.50"	1 1/4-12L	0.967"			Internal
ES325R	5.50"	1 1/4-12R	0.967"			Internal
ES3268L	5.02"	1-16L	0.915"	1.024"	0.870"	External
ES3269R	5.02"	1-16R	0.915"	1.024"	0.870"	External
ES3270L	5.44"	1 1/8-12L	0.806"	0.915"	0.870"	External
ES3271R	5.44"	1 1/8-12R	0.806"	0.915"	0.870"	External
ES3274L	5.44"	1 1/8-12L	0.895"	1.038"	1.140"	External
ES3275R	5.44"	1 1/8-12R	0.895"	1.038"	1.140"	External
ES3283R	7.18"	1-16R	0.783"	0.899"	0.930"	External
ES3284L	7.18"	1-16L	0.783"	0.899"	0.930"	External
ES3294R	4.88"	1 1/8-16R	0.967"	0.000"	1.080"	External
ES3297R	8.12"	1 1/4-12R	0.967"	1.107"	1.120"	External
ES3298L	8.12"	1 1/4-12L	0.967"	1.107"	1.120"	External
ES3304R	3.12"	1-16R	0.967"	1.120"	1.080"	Internal
ES330L	5.86"	1-16L	0.780"	0.876"	0.784"	External
ES330R	5.86"	1-16R	0.780"	0.876"	0.784"	External
ES3312R	5.44"	1 1/8-18R	0.967"	1.102"	1.080"	External
ES3328R	4.43"	1-16R	0.780"		0.930"	External
ES3329L	4.43"	1-16L	0.780"		0.930"	External
ES332L	6.50"	1 1/8-16L	0.893"	0.995"		External
ES332R	6.50"	1 1/8-16R	0.893"	0.995"		External
ES3335R	4.13"	M20X1.5R	0.713"			External
ES3336L	4.13"	M20X1.5L	0.713"			External
ES3442R	7.38"	1 1/4-12R	0.967"		1.080"	External
ES3443L	7.38"	1 1/4-12L	0.967"		1.080"	External
ES346L	5.75"	1 1/4-12R	1.080"	1.250"		External
ES346R	5.75"	1 1/4-12L	1.080"	1.250"		External
ES3476	6.00"	1 1/8-12R	0.967"			External
ES3477	6.00"	1 1/8-12L	0.967"			External
ES373L	4.45"	1-16L	0.780"	0.899"	0.928"	External

Progressive Size Charts For Tie Rod Ends

Part No.	Length (A)	Thread (B)	Small Diameter (C)	Large Diameter (D)	Taper	Thread Type
ES373R	4.45"	1-16R	0.780"	0.899"	0.928"	External
ES376L	5.75"	1 1/4-12L	1.08"			External
ES376R	5.75"	1 1/4-12R	1.08"			External
ES405L	4.88"	1 1/8-12L	0.896"	1.030"	1.072"	External
ES405R	4.88"	1 1/8-12R	0.896"	1.030"	1.072"	External
ES411L	9.18"	1 1/8-12L	0.967"	1.102"		External
ES411R	9.18"	1 1/8-12R	0.967"	1.102"		External
ES416L	3.22"					
ES416R	3.22"					
ES423L	5.44"	1 1/8-12L	0.967"	1.107"	1.120"	External
ES423R	5.44"	1 1/8-12R	0.967"	1.107"	1.120"	External
ES431L	5.75"	1 1/4-12L	1.080"	1.250"	1.360"	External
ES431R	5.75"	1 1/4-12R	1.080"	1.250"	1.360"	External
ES434L	5.75"	1 1/4-12L	1.117"	1.250"		External
ES800420	10.32"	1 1/4-12R	0.967"			
ES800421	10.32"	1 1/4-12L	0.967"			
ES800422	9.26"	1 1/4-12R	0.967"			
ES800423	9.26"	1 1/4-12L	0.967"			
ES800424	7.61"					
ES800425	7.61"					
ESK371						